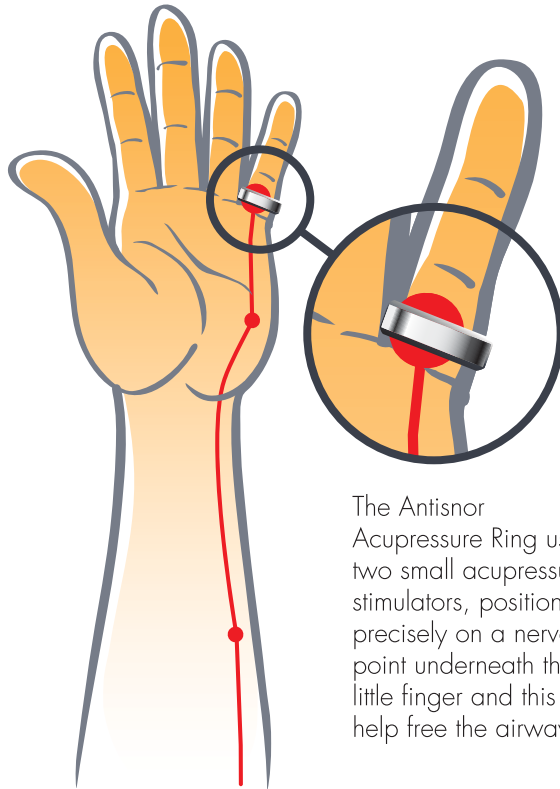
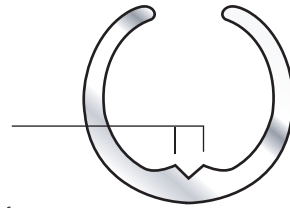


HOW ANTISNOR WORKS



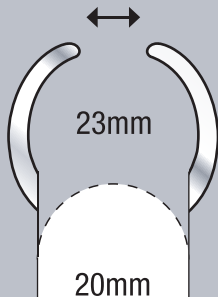
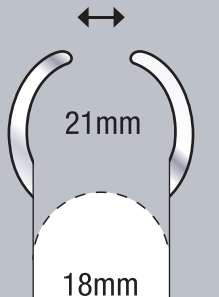
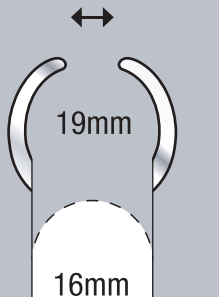
The Antisnor Acupressure Ring uses two small acupressure stimulators, positioned precisely on a nerve point underneath the left little finger and this can help free the airways.



the 'original'
ANTISNOR
 acupressure ring

RING SIZE TEMPLATE

Choose a size that will be a snug fit as the ANTISNOR Ring can be adjusted larger than the supplied size for a perfect, comfortable fit.
 Adjust ring size by firmly holding the two sides of the ANTISNOR Ring and gently pulling apart.

Large - Extra Large	Medium - Large	Small - Medium
USA/CANADA SIZING 13 - 18	USA/CANADA SIZING 10 - 14	USA/CANADA SIZING 5 - 9
METRIC SIZING 20mm - 23mm	METRIC SIZING 18mm - 21mm	METRIC SIZING 16mm-19mm
		

IMPORTANT PRINTING INFORMATION

When printing this document ensure 'Page Scaling' is set to 'none' or '100%' as the document needs to be printed at the correct size for accurate measurement.
 The grey panel should measure 6½" or 165mm wide.